

Installation Guide

Underfloor Heating Manifold Control Pack



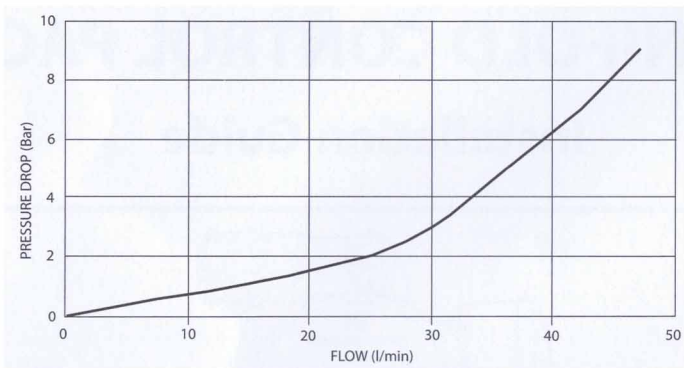
The Manifold Control Pack provides temperature controlled mixed water to an underfloor heating system with a heat output to 14kW.

Technical Specifications & Dimensions

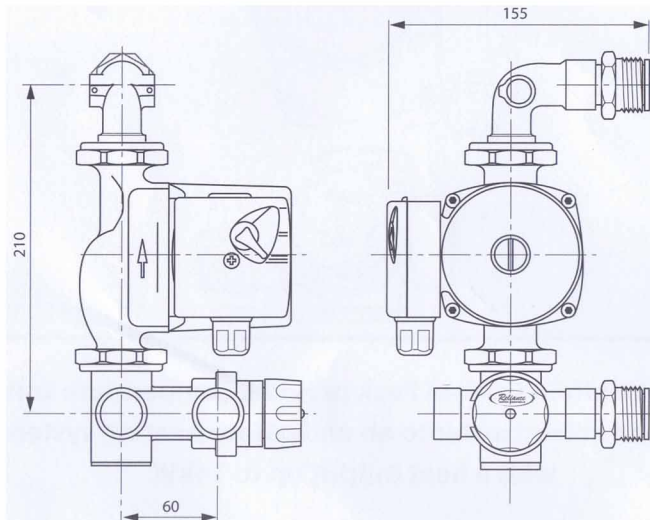
Specifications

Maximum static pressure:	10 bar
Maximum temperature:	90°C
Adjustable control range:	35°C to 65°C
Factory pre-set:	35°C (minimum)

PRESSURE DROP GRAPH



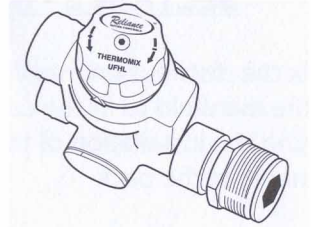
DIMENSIONS



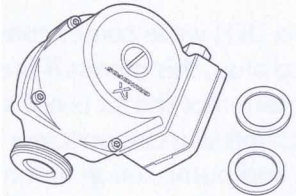
Pack Contents

PLEASE CHECK CONTENTS OF PACK BEFORE BEGINNING INSTALLATION
Description, Part Number and Quantity

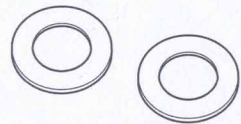
ThermoMix UFH Valve



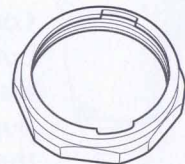
Grundfos 15/60 pump including rubber washers



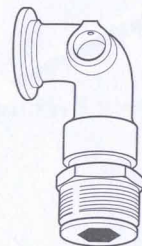
1" washers (Qty 2)



Pump nut



Connection elbow



All dimension are shown in mm unless otherwise stated.

Section 1 - Introduction

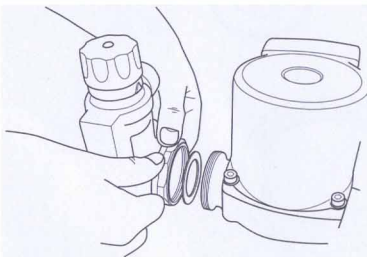
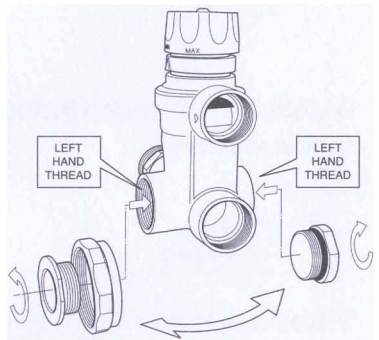
Designed to work with manifolds of all types, on 210mm centres. The Manifold Control Pack is bolt on unit providing a quick and simple system to install.

SECTION 2 - INSTALLATION

Firstly firmly fix the distribution manifolds to the wall leaving enough room beside the manifold to fit the control pack. (see dimensions)
Before beginning the installation of the Manifold Control Pack, identify all of the components in the pack.

2.1

The Thermomix UFH valve comes complete with a blanking plug, this means if the standard orientation of the kit is not suitable for your application you can unscrew the blanking plug and pump union (left handed thread), and change them around, to reverse the kit.

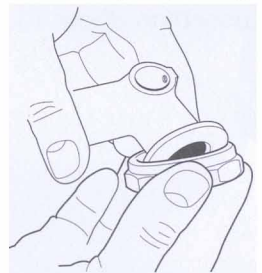


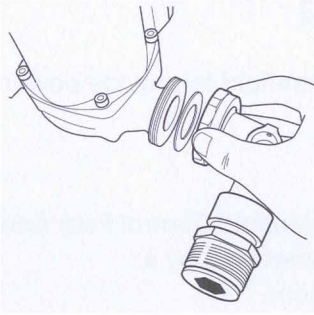
2.2

Connect the Thermomix UFH valve to the pump using the pump nut which is pre-assembled to the thermomix, ensuring the pump washer is inserted. (taking note of the directional arrows on the pump body)

2.3

Slip the 1 1/2" pump nut over the flange on the flow connection elbow.





2.4

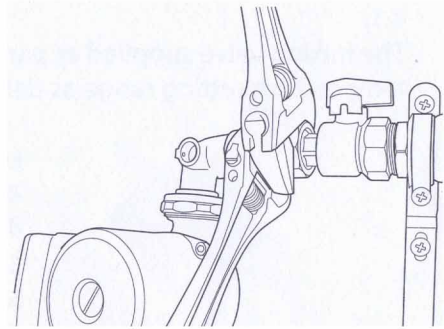
Use the 1 1/2" pump nut to connect the elbow to the pump, again ensuring the pump washer is inserted.

2.5

Tighten the pump union connections.

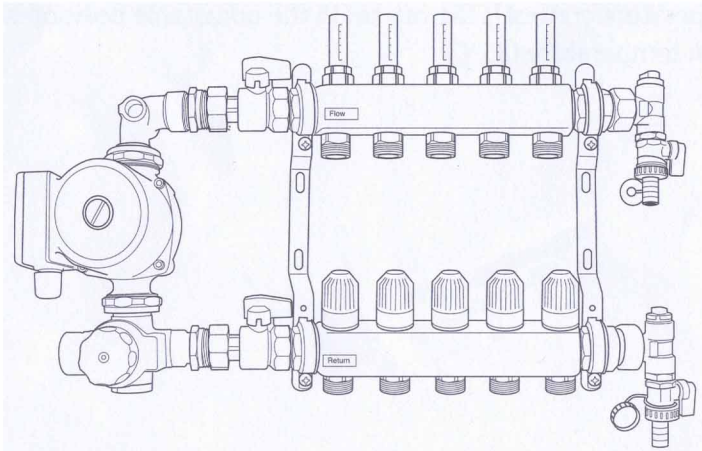
2.6

Connect the elbow to the flow manifold by means of the 1" MBSP connection onto the flat faced union connection, remembering to fit the 1" fiber washer.



2.7

Connect the Thermomix UFH control valve to the return manifold by means of the 1" MBSP connection onto the flat faced union connection again remembering to fit the 1" fibre washer.



Thermomix UFH Valve complete with UFH manifold

SECTION 3 - WIRING

3.1

A fused spur should be provided adjacent to the manifold to provide power to the pump and two port zone valve if fitted

3.2

To comply with IEE regulations, the pump on the Manifold Control Pack must be provided with an earth. All wiring should be undertaken by a qualified installer and must conform to IEE regulations.

SECTION 4 - SETTINGS

4.1

The mixing valve supplied as part of the Manifold Control Pack has a temperature setting range as detailed below.

Min
40°C
45°C
50°C
55°C
60°C
Max

The temperature control is factory set in the adjustable position and at the minimum temperature. (35°C)

Notes
